



U
M
I
L
L
O



SAFIRE

Safirecollection.com





U M



L I L O



PASSION LED US HERE.

The business success of SAfire is based on the production of top quality products, modern design and constant collaboration with our customers.

The satisfaction of our customers is our main goal and we are working every day to establish quality and long-term relationships with our customers, whose trust we gain with the consistent quality of our products.

Designed in Cape Town, South Africa.





Page 2 | **SAFIRE**





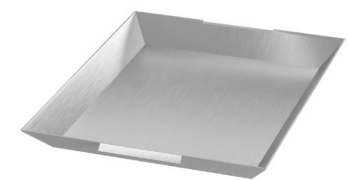
THE UMLILO. MODERN. VERSATILE SOPHISTICATION.

Fire has always played an important part in African life, it's in our blood. Our traditions with fire and cooking, stem from the Khoisan and the many African Tribes, who hunted, fed, and protected their families on the Southern African plains with fire. The Voortrekkers, who braved the wide open spaces in this new world, sharing around the camp fire, and cooking their traditional fare. Our forefathers were tempered like steel, by fire in South Africa. Its no wonder, our UMLILO, combines and perfects their traditional cooking methods, in a sophisticated fire, with the versatility that only an African conceived and designed fire can offer.





Page 4 | **SAFIRE**





THE UMLILO. ACCESSORIES TO MATCH.

Our love of cooking outdoors, becomes more and more sophisticated. We want to be able to provide meals made up of a variety of components, so whether you are preparing garlic flat bread with sosaties and hummus, pizza evenings, lamb skewers with roasted vegetables, pork or chicken on the spit, or our traditional favourite of steak and boerewors with a tomato and onion gravy and pap, our UMLILO caters for your every need.





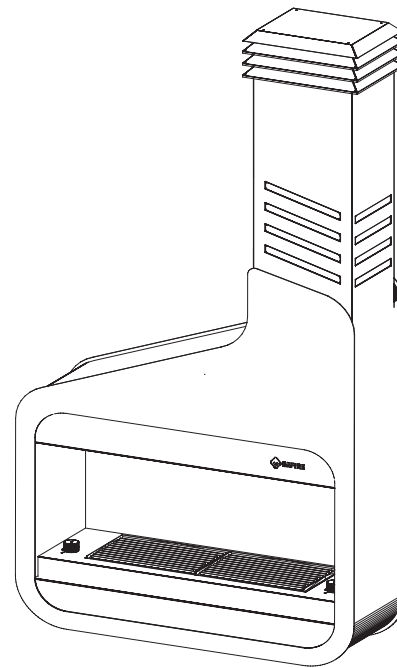
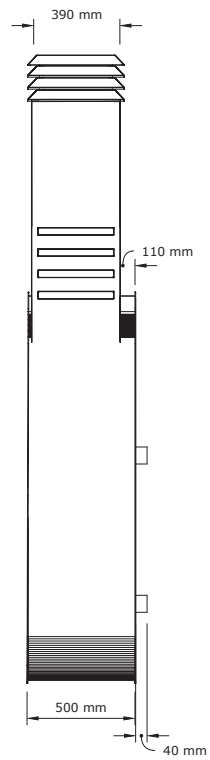
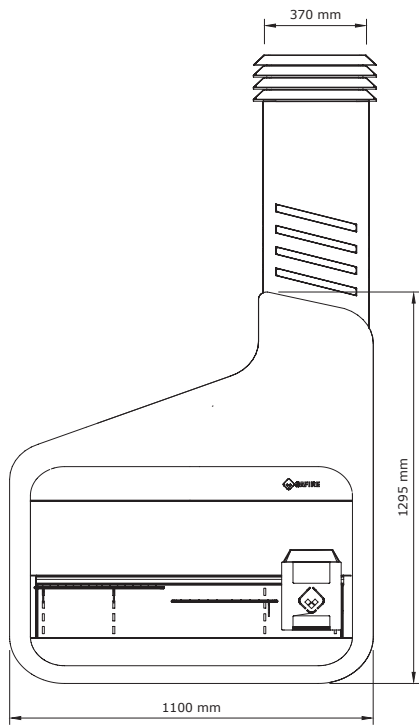
Page 6 | **SAFIRE**





SAFIRE | Page 7





SAFIRE



© This drawing is copyright and remains the property of SAFIRE South Africa. It may not be retained, copied or used without written consent.







THE UMLILO.

Safirecollection.com

